



**Installation Manual v1.1
202-906-3224
Boost Fooler
99-03 Ford 7.3L**

Please read all instructions before installation

Seal all soldered connections with heat shrink or tape.

The Boost Fooler allows the 99-03 7.3L Powerstroke to produce levels of boost over 20psi with aftermarket turbochargers without injector defueling. This ensures optimal fueling at higher boost levels.

1. Disconnect both negative battery terminals.
2. The MAP sensor connector is located on the passenger side of the engine bay near the firewall as shown in Figure 1.

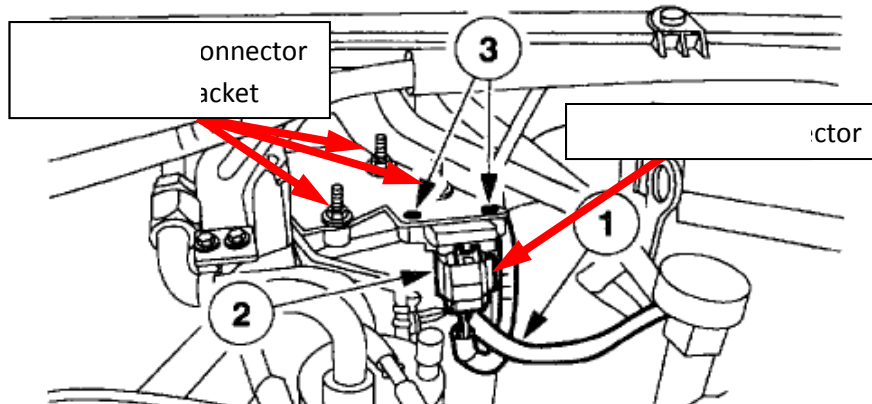


Figure 1 - MAP Sensor Location

3. Locate the signal wire (green wire with black stripe). Cut this wire approximately 5" from the connector.
 - a. Solder the green wire from the Boost Fooler to the connector side of the MAP sensor harness.
 - b. Solder the white wire from the Boost Fooler to the harness side of the MAP sensor harness.

- Strip 1/2" of insulation from the ground wire (grey wire with red stripe). Solder the black wire from the Boost Fooler to the stripped section of wire.

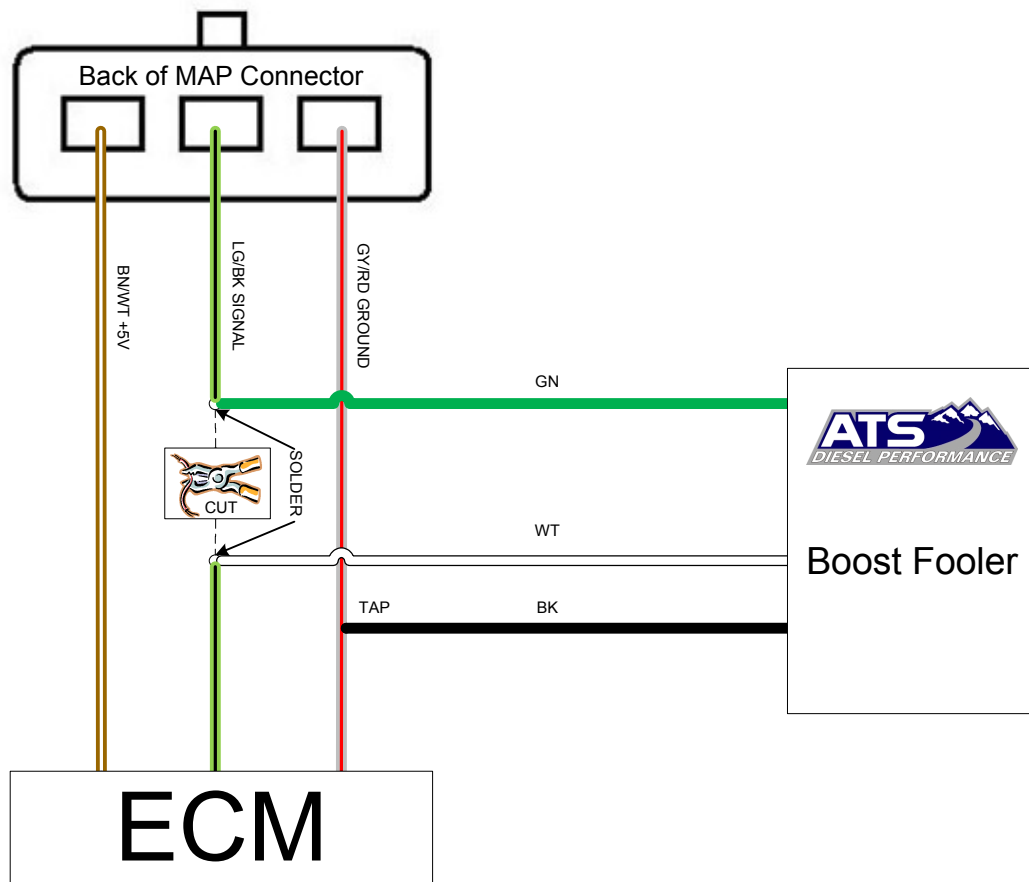


Figure 2 - Boost Fooler Wiring Diagram

- Once wired in with heat shrink over the soldered connections, attach it to the harness using electrical tape or zip ties.

Have Any Questions?

Thank you for purchasing the Adjustable Boost Fooler. Please check our website at <http://www.atsdiesel.com> for technical support and other performance products such as the 5-Star™ torque converter, ATS High Performance Valve Body and ATS High Performance Transmission along with our full line of power enhancers. Please call or e-mail our Technical Service Department, 8:00am to 5:30pm Mountain Standard Time, Monday through Friday.

Contact Information

Toll Free: 800-949-6002

Local: 303-431-7973

Fax: 303-431-0135

Website: www.ATSDiesel.com

Email: info@ATSDiesel.com

We strive to make our instructions as clear and complete as possible. To achieve this, our instructions are under constant construction. We encourage you to visit our website to check for the most up-to-date manuals and diagrams as well as other information. If you have any suggestions as to how we can improve this installation manual, let us know at <mailto:Suggestions@ATSDiesel.com>.

Bill of Materials

1. Ford 7.3L Boost Fooler 202-006-3224
2. (3) 22-18 Butt Connector
3. (3) 1.5" Section of 1/8" Heat Shrink